



A diagram of an SLip RING connector. It features a central black cylindrical body with a wide, flat top flange. Six colored wires (red, black, yellow, green, orange, and brown) enter from the top and exit from the bottom. The wires are bundled together and pass through a small black sleeve at the top of the main body.

SLip RING

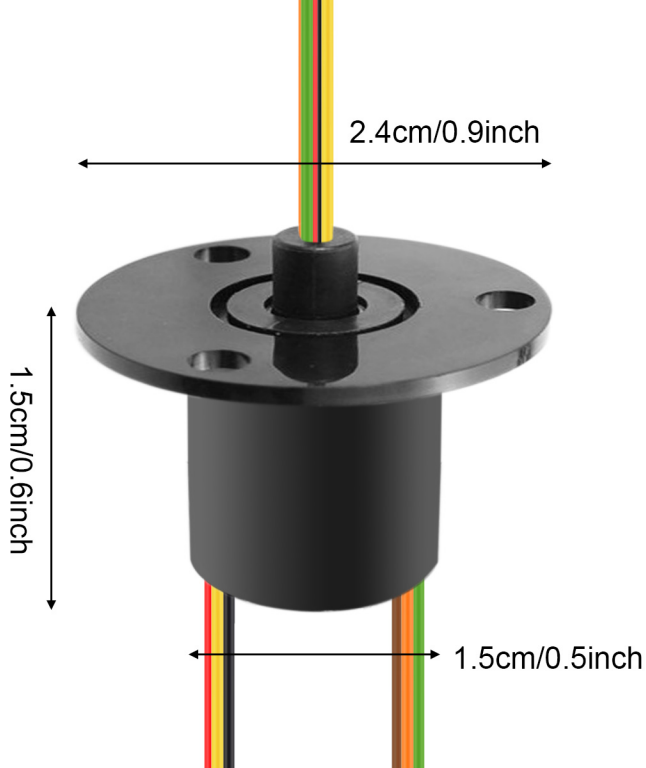
Number Of Wires : 6

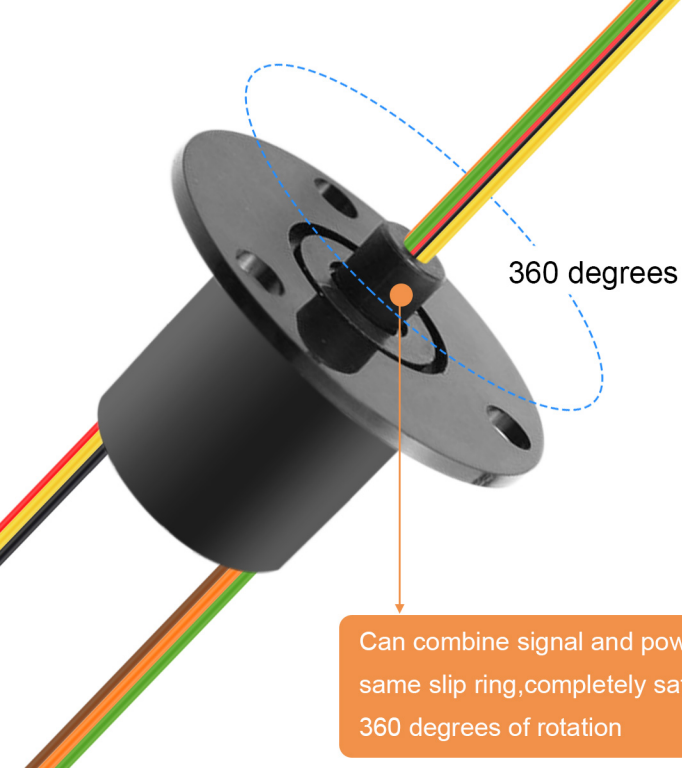
Voltage : 240VAC / VDC

Current : 2A per circuits

Lead Size: 225mm

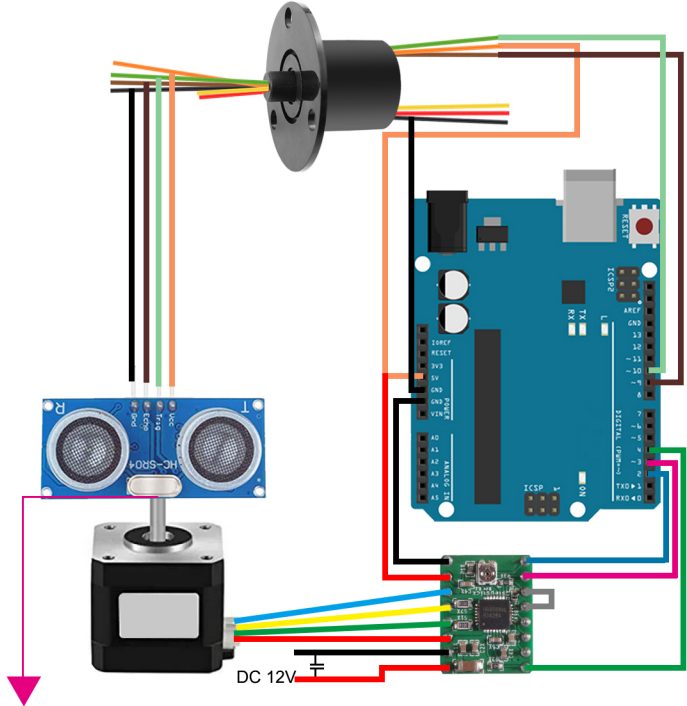
Wire Material: Teflon





360 degrees

Can combine signal and power in same slip ring, completely satisfy 360 degrees of rotation



HC-SR04 is glued to the rotating shaft of the stepping motor, and the 360° rotation function of the slip ring can prevent the HC-SR04 from being entangled by the wire when rotating.



High Temperature
Resistance



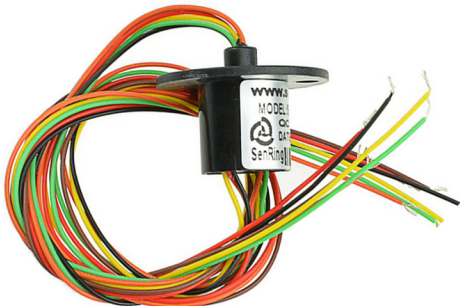
Durable



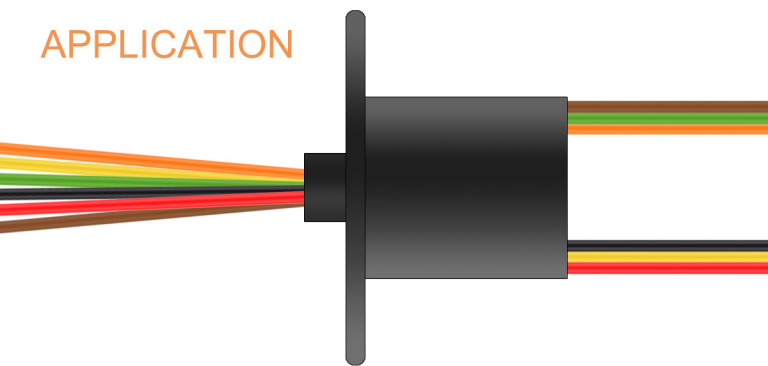
Insulation
Shell

ABS Plastic

Teflon Wire



APPLICATION



For CCTV monitoring system/electrical test equipment, medical equipment, robotics, ect.

